

料号

品名

Part NO.

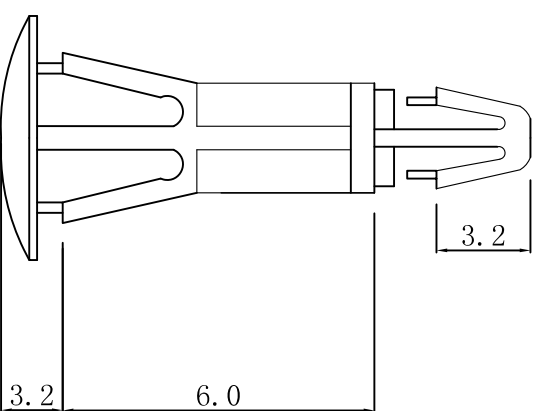
Parts Name

34-RCD-6

PC板间隔柱 RCD-6

PCB  $\varnothing$ 4.0

thickness 厚度: 1.0-1.7



CHASSIS  $\varnothing$ 4.8

thickness 厚度: 0.8-1.2



未经授权不得修改和复印  
该知识产权属于技术质量部;

DIMENSION	TOLERANCES															
0.0 0.00	$\pm$ 0.30															
PRIST ANGLE PROJ		A	NEW PART	<i>oullivan</i>	<i>yu wang</i>	<i>20108</i>										
		LTR.	REVISION RECORD	DWG. BY	CHK. BY	DATE	DWG. BY	CHK. BY	DATE	APP. BY	CHK. BY	REV.	DWG. NO.			
							<i>liu liang</i>	<i>oullivan</i>	<i>wang zhiyan</i>	<i>wang zhiyan</i>	<i>oullivan</i>	A	H1WA/QR-JZ-34-RCD-6			