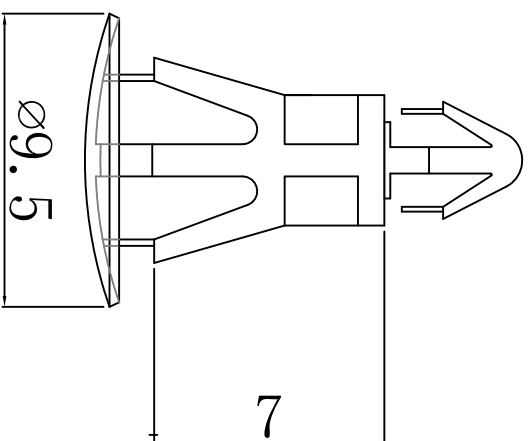


料号 Part NO.	品名 Parts Name
34-RCH-7	PC板间隔柱 RCH-7

PCB $\varnothing 3.5$
Thickness 1.6



PCB $\varnothing 5.5$
Thickness 0.8-1.2

- ◆ MATERIAL: NYLON 66(UL)
 - ◆ FLAME CLASS: 94V-2
 - ◆ COLOR: NATURAL
- 用途: 固定PC板于机板上, 不含突出板底部, 外观美观。

DIMENSION		TOLERANCES									
0.0											
0.00		± 0.50									
FRIST ANGLE PROJ				A	NEW PART	<i>oullian</i>	<i>zy wang</i>	<i>2010108</i>	DWG. BY	CHK. BY	DATE
				LTR.	REVISION RECORD						
DWG. BY	<i>liu liang</i>	UNIT	mm	CHK. BY	<i>oullian</i>	REV.	A	DWG. NO.	HIWA/QR-JZ-34-RCH-7		
APP. BY	<i>wang zhiyan</i>										



未经许可不得修改和复印
该知识产权属于技术质量部;