

料号

品名

Part NO.

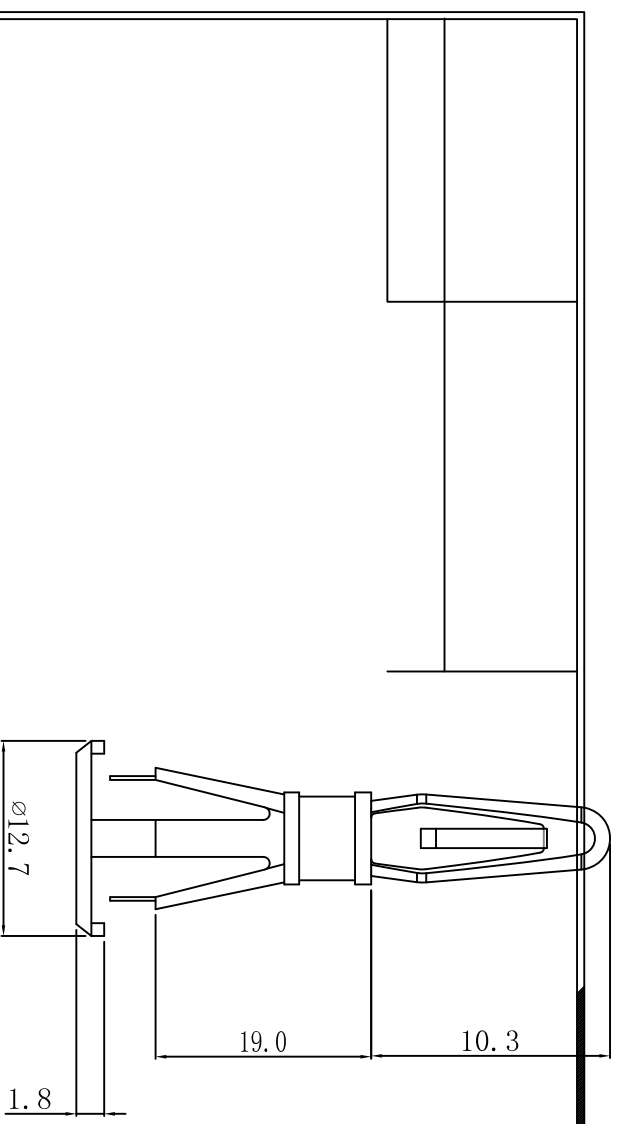
Parts Name

34-RCWA-19

PC板间隔柱 RCWA-19

PCB  $\phi$ 4.0

thickness 厚度: 1.6



CHASSIS  $\phi$ 5.4

thickness 厚度: 1.5-1.6

- ◆ MATERIAL: NYLON 66(UL)
  - ◆ FLAME CLASS: 94V-2
  - ◆ COLOR: NATURAL
- 用途: 固定PC板于机板上, 不会突出板底部, 外观美丽.



未经许可不得修改和复印  
该知识产权属于技术质量部;

DIMENSION	TOLERANCES					
0.0 0.00	$\pm 0.30$					
FIRST ANGLE PROJ		A	NEW PART	<i>william</i>	<i>yu wang</i>	<i>20108</i>
		LTR.	REVISION RECORD	DWG. BY	CHK. BY	DATE

DWG. BY	CHK. BY	APP. BY	UNIT	DWG. NO.	mm
<i>liu liang</i>	<i>william</i>	<i>wang zhiyan</i>	REV.		A
			DWG. NO.	HIMA/QR-JZ-34-RCWA-19.0	



苏州惠华电子科技有限公司