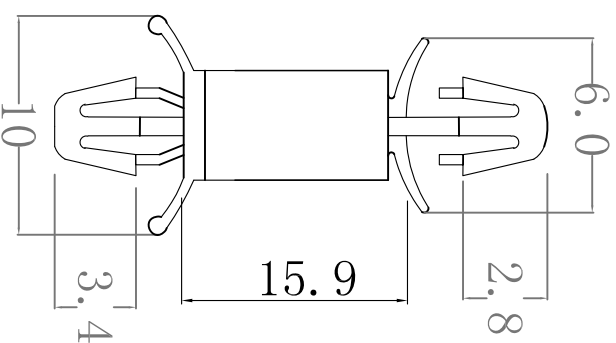


|                |                  |
|----------------|------------------|
| 料号<br>Part NO. | 品名<br>Parts Name |
| 34-LCH-15      | PC板间隔柱 LCH-15    |

PCB  $\varnothing 3.0$

thickness 厚度: 0.8-2.0



用途: PC板PC板间隔柱 不粘胶脚.;  
 材质: NYLON66(UL)  
 防火等级: 94V-2  
 颜色: 本色  
 公差要求: 未标注公差 $\pm 0.15$

PCB  $\varnothing 4.0$

thickness 厚度: 1.2-2.6



未经授权不得修改和复印  
 该知识产权属于技术质量部;

| DIMENSION        | TOLERANCES         |          |                      |                |                 |              |  |  |  |  |  |  |  |  |  |  |  |  |  |
|------------------|--------------------|----------|----------------------|----------------|-----------------|--------------|--|--|--|--|--|--|--|--|--|--|--|--|--|
| 0.0<br>0.00      | $\pm 0.3$          |          |                      |                |                 |              |  |  |  |  |  |  |  |  |  |  |  |  |  |
| FRIST ANGLE PROJ |                    | A        | NEW PART             | <i>willian</i> | <i>yan wang</i> | <i>20108</i> |  |  |  |  |  |  |  |  |  |  |  |  |  |
|                  |                    | LTR.     | REVISION RECORD      | DWG. BY        | CHK. BY         | DATE         |  |  |  |  |  |  |  |  |  |  |  |  |  |
|                  |                    |          |                      |                |                 |              |  |  |  |  |  |  |  |  |  |  |  |  |  |
| DWG. BY          | <i>lin liang</i>   | UNIT     | mm                   |                |                 |              |  |  |  |  |  |  |  |  |  |  |  |  |  |
| CHK. BY          | <i>willian</i>     | REV.     | A                    |                |                 |              |  |  |  |  |  |  |  |  |  |  |  |  |  |
| APP. BY          | <i>wang zhiyan</i> | DWG. NO. | HIWA/QR-JZ-34-LCH-15 |                |                 |              |  |  |  |  |  |  |  |  |  |  |  |  |  |

HIWA 惠州惠华电子科技有限公司