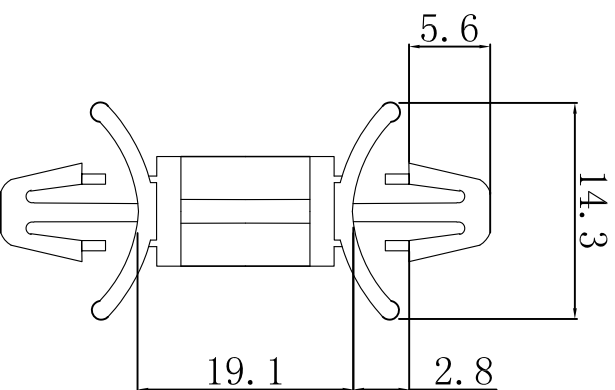


| | |
|----------------------|---------------------|
| 料号 Part NO. | 品名/型号 Parts Name |
| 34-HIWA-DLCBS2-12-01 | PC板间隔柱 DLCBS2-12-01 |

PCB $\varnothing 4.75$
thickness 厚度: 0.79-1.98



用途: 用于PCB板间隔, 无工具, 容易拆卸;
材质: NYLON66(UL)
防火等级: 94V-2
颜色: 本色

PCB $\varnothing 4.75$
thickness 厚度: 0.79-1.98



未经受权不得修改和复印
该知识产权属于技术质量部;

| DIMENSION | TOLERANCES | | | | | | | | | | | | | | | | | | | |
|------------------|----------------|--------------------|---------------------------------|----------------|----------------|---------------|--|--|--|--|--|--|--|--|--|--|--|--|--|--|
| 0.0 | ±0.5 | | | | | | | | | | | | | | | | | | | |
| 0.00 | | | | | | | | | | | | | | | | | | | | |
| FIRST ANGLE PROJ | | A | NEW PART | <i>oullian</i> | <i>zy wang</i> | <i>202108</i> | | | | | | | | | | | | | | |
| | | LTR. | REVISION RECORD | DWG. BY | CHK. BY | DATE | | | | | | | | | | | | | | |
| DWG. BY | CHK. BY | APP. BY | DWG. NO. | UNIT | REV. | mm | | | | | | | | | | | | | | |
| <i>lia liang</i> | <i>oullian</i> | <i>wang zhiyan</i> | HIWA/QR-12-34-HIWA-DLCBS2-12-01 | | A | | | | | | | | | | | | | | | |

HIMA 惠华苏州惠华电子科技有限公司