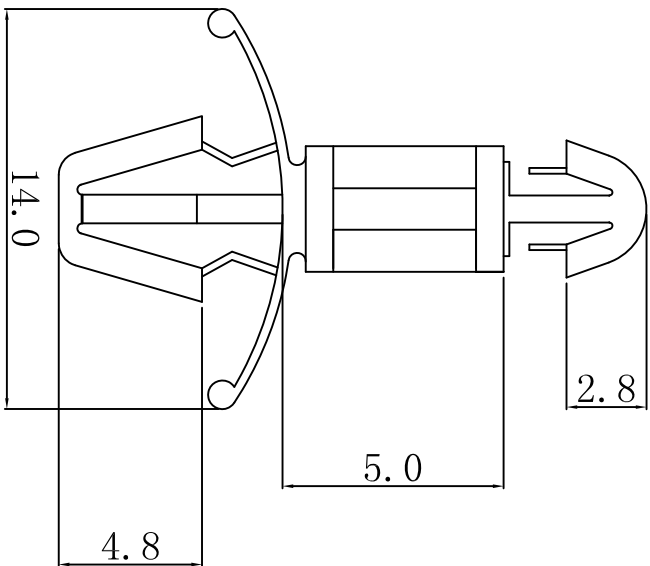


料号 Part NO.	品名 Parts Name
34-LCBU-5	PC板间隔柱 LCBU-5

P. C. B  $\varnothing 3.5$   
Thickness 1.2-1.7



Chassis  $\varnothing 4.8$   
Thickness 0.8-2.2

用途: 固定PC板与PC板之固定; 不占空间  
材质: NYLON66(UL)  
防火等级: 94V-2  
颜色: 白色 (本色)



未经并受权不得修改和复印  
该知识产权属于技术质量部;

DIMENSION		TOLERANCES		FIRST ANGLE PROJ		NEW PART		REVISION RECORD		DWG. BY		UNIT		mm	
0.0	0.00	$\pm 0.5$		A		NEW PART		REVISION RECORD		APP. BY		CHK. BY		REV.	
						NEW PART		REVISION RECORD		wang zhiyuan		liu liang		A	
						NEW PART		REVISION RECORD		3% wang		sullivan		A	
						NEW PART		REVISION RECORD		202108		wang zhiyuan		A	
DWG. BY												UNIT		mm	
CHK. BY												REV.		A	
APP. BY												DWG. NO.		HIWA/QR-JZ-34-LCBU-5	

**HIWA** 惠华 苏州惠华电子科技有限公司