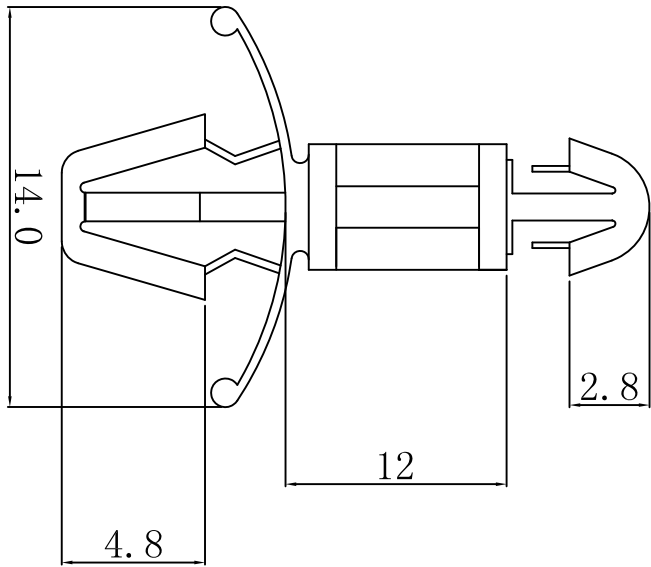


料号 Part NO.	品名 Parts Name
34-LCBU-12	PC板间隔柱 LCBU-12

P. C. B $\varnothing 3.5$
Thickness 1.2-1.7



Chassis $\varnothing 4.8$
Thickness 0.8-2.2

用途: 固定PC板与PC板之固定; 不占空间
材质: NYLON66(UL)
防火等级: 94V-2
颜色: 白色(本色)



未经并受权不得修改和复印
该知识产权属于技术质量部;

DIMENSION		TOLERANCES									
0.0											
0.00			± 0.5								
PRIST ANGLE PROJ				A		NEW PART					
				REVISION RECORD							
						<i>autliam</i>		<i>3% wang</i>		<i>202108</i>	
DWG. BY	<i>liu liang</i>	UNIT	mm								
CHK. BY	<i>autliam</i>	REV.	A								
APP. BY	<i>wang zhuyuan</i>	DWG. NO.	HIMA/QR-JZ-34-LCBU-12								