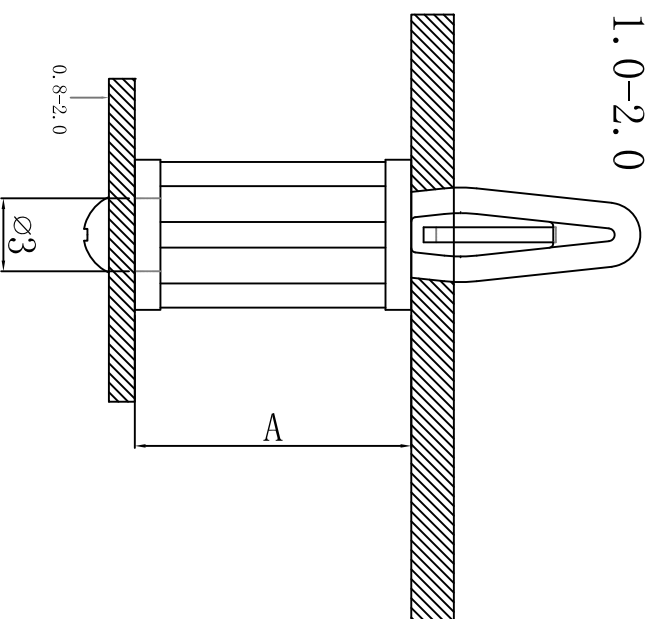


料号 Part NO.	品名 Parts Name	规格	A
34-BBS-9S	间隔柱	BBS-9S	9.6

P. C. B $\phi 4.0$
THICKNESS 1.0-2.0



材质：尼龙66 (UL)
阻燃等级：94V-2
颜色：本色
单位：mm

DIMENSION	TOLERANCES													
0.0 0.00	± 0.5													
FRIST ANGLE PROJ		A	NEW PART	<i>sullivan</i>	<i>yu wang</i>	<i>20108</i>								
		LTR.	REVISION RECORD	DWG. BY	CHK. BY	DATE								
DWG. BY	<i>liu liang</i>	UNIT	mm	CHK. BY	<i>sullivan</i>	REV.	A	DWG. NO.	HIWA/QR-JZ-34-BBS-9S	APP. BY	<i>wang zhiyan</i>			



未经受权不得修改和复印
该知识产权属于技术质量部；