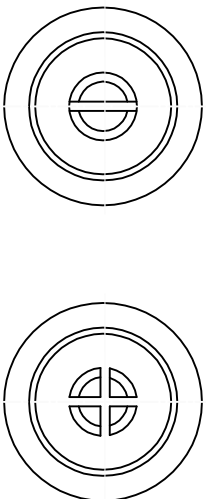
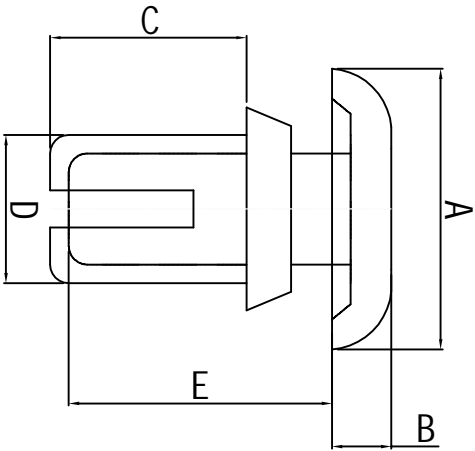


料号 Part NO.	品名 Parts Name	Hole Dia 孔径	Panel Thick 机板厚度	A	B	C	D	E	拉拔力
34-R3045	尼龙铆钉 R3045	3.1	2.0-3.0	6.4	1.6	4.5	3.0	6.1	8KG



- ◆ MATERIAL: NYLON 66 (UL)
- ◆ FLAME CLASS: 94V-2
- ◆ COLOR: NATURAL/BLACK
- 公差要求: 未标注公差±0.5



未经许可不得修改和复印
该知识产权属于技术质量部;

DIMENSION	TOLERANCES					DWG. BY	UNIT	mm	
		0.0 0.00	±0.5				liu liang		
						CHK. BY sullivan	REV.	A	
						APP. BY wang zhiyan	DWG. NO.	HIMA/OR-JZ-34-R3045	
FIRST ANGLE PROJ		A	NEW PART	sullivan	zy.wang	2011/28			
		LTR.	REVISION RECORD	DWG. BY	CHK. BY	DATE			
							DWG. BY liu liang	UNIT	mm
							CHK. BY sullivan	REV.	A
							APP. BY wang zhiyan	DWG. NO.	HIMA/OR-JZ-34-R3045
							HIMA 苏州惠华电子科技有限公司		