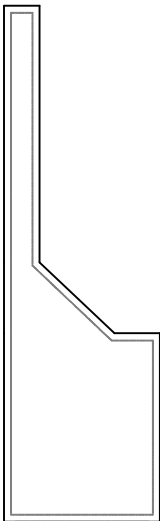
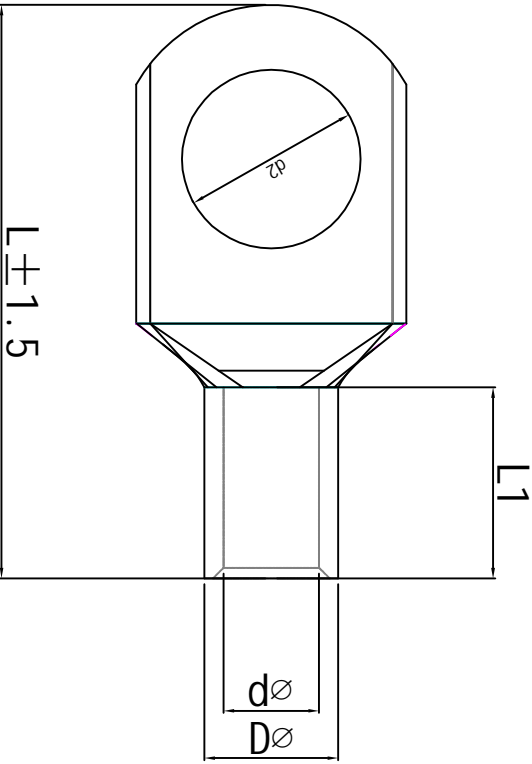


料号 material No.	品名 Parts Name	型号 Part NO.	螺钉口直径 Screw dia. d2 \varnothing	Dimensions (mm)				导线截面 Cable size (mm ²)
40-SC400-20	窥口铜接线端子	SC400-20	21.0	d \varnothing	D \varnothing	L1	L	400
				27.0	34.0	46.0	113.0	



材质: 紫铜
表面处理: 镀锡



未经授权不得修改和复印
该知识产权属于技术质量部

DIMENSION		TOLERANCES							
0.0									
0.00			±0.5						
FIRST ANGLE PROJ			A		NEW PART	sullivan	zy wang	2020/08	
REVISION RECORD									
DWG. BY	liu liang	UNIT	mm	CHK. BY	sullivan	REV.	A	APP. BY	wang zhiyan
DWG. NO.									
									HIMA/OR-JZ-40-SC-400-20