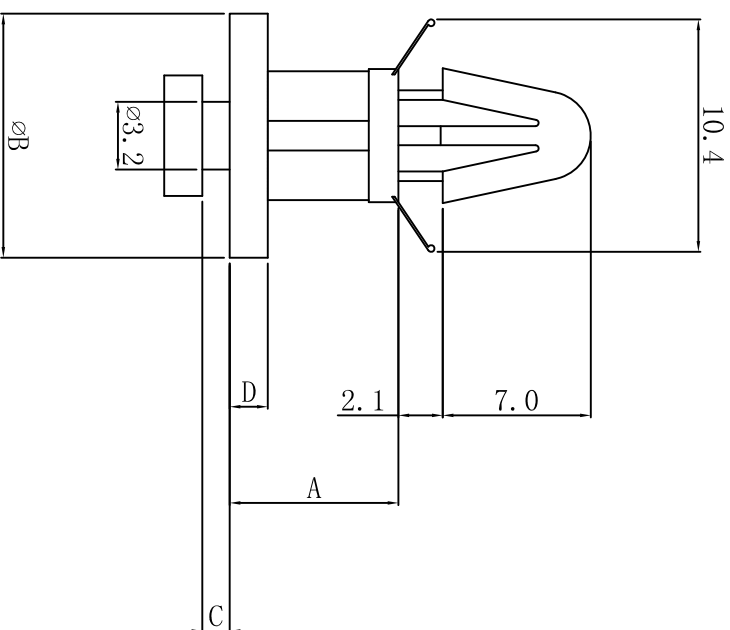


料号 Part NO.	品名 Parts Name	规格	A	B	C	D
34-ACB-74	间隔柱	ACB-74	74.0	11.3	1.3	1.4

P. C. B  $\varnothing 4.0$   
THICKNESS 1.2-1.7



材质: 尼龙66 (UL)  
阻燃等级: 94V-2  
颜色: 本色  
单位: mm

DIMENSION	TOLERANCES																		
0.0 0.00	$\pm 0.5$																		
FRIST ANGLE PROJ		A	NEW PART	<i>oullivan</i>	<i>ya wang</i>	<i>20108</i>													
		LTR.	REVISION RECORD	DWG. BY	CHK. BY	DATE													
DWG. BY	<i>liu liang</i>	UNIT	mm																
CHK. BY	<i>oullivan</i>	REV.	A																
APP. BY	<i>wang zhiyan</i>	DWG. NO.	HIWA/QR-JZ-34-ACB-74																



未经受权不得修改和复印  
该知识产权属于技术质量部;