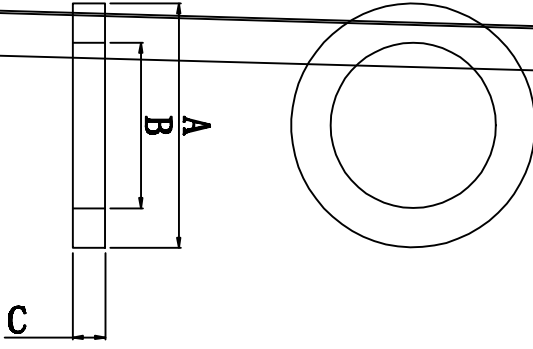


34-5.0*2.1-1					
	规格	A	B	C	
	5.0*2.1-1	5.0	2.1	1.0	



材质: 尼龙66 (UL)
 阻燃等级: 94V-2
 颜色: 本色
 用途: 作为零件之垫片
 单位: 毫米

DIMENSION	TOLERANCES	UNIT	mm
0.0	±0.15		
0.00			
FIRST ANGLE PROJ			
A	NEW PART		
LTR.	REVISION	DWG. BY	CHEK BY
	RECORDED		
			DATE
			2009/08
DWG. BY	liu liang	UNIT	mm
CHK. BY	Sullivan	REV.	A
APP. BY	ZY wang	DWG. NO.	HJWA/QR-JZ-34
			-5.0*2.1-1

