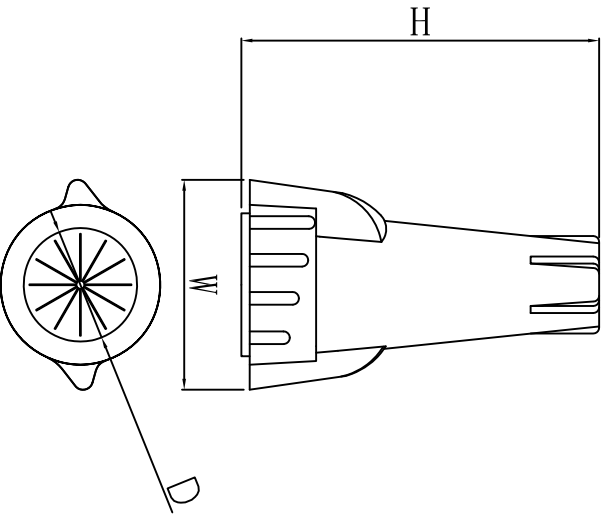


料号	型号	尺寸		
Material NO.	Part NO.	H	W	D
48--F01-R3	R3	40.9	25.2	16.5



Material: Tough thermoplastic UL
 94V-2 flame-retardant
 Voltag: 600V
 Working Temperature: 105°C
 Spring Insert: Steel
 Wire Range: #20-#10AWG, CU

DIMENSION	TOLERANCES				DWG. BY	UNIT	
0.0 0.00	±0.5				<i>Lin Liang</i>	mm	
FIRST ANGLE PROJ		A	NEW PART	<i>wallace</i>	<i>wang zhiyan</i>	REV.	A
			REVISION RECORD			DWG. NO.	H1W/A/QR-JZ-48-F01-R3



未经许可不得修改和复印
 该知识产权属于技术质量部

HIMA 惠华
 苏州惠华电子科技有限公司