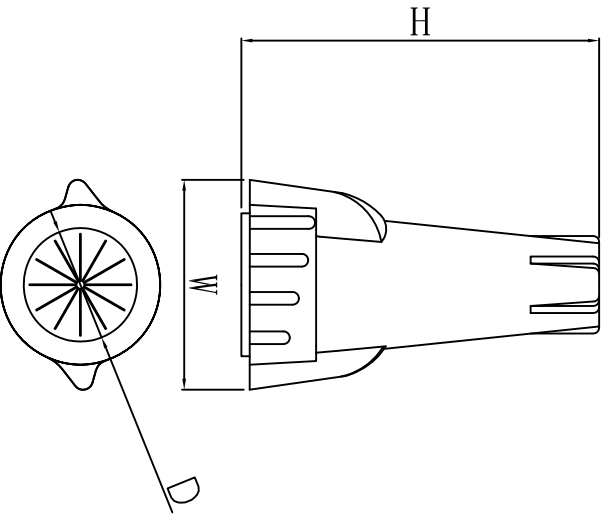


料号	型号	尺寸		
Material NO.	Part NO.	H	W	D
48--F01-R6	R6	47.2	26.5	16.5



Material: Tough thermoplastic UL
 94V-2 flame-retardant
 Voltag: 600V
 Working Temperature: 105°C
 Spring Insert: Steel
 Wire Range: #20-#8AWG, CU

DIMENSION	TOLERANCES	FIRST ANGLE PROJ			NEW PART	REVISION RECORD	DWG. BY	CHK. BY	APP. BY	UNIT	REV.	DWG. NO.	mm
0.0 0.00	±0.5	A	NEW PART	REVISION RECORD			<i>liu liang</i>	<i>qullian</i>	<i>wang zhiqian</i>		A	H1W/A/QR-JZ-48-F01-R6	



未经许可不得修改和复印
 该知识产权属于技术质量部