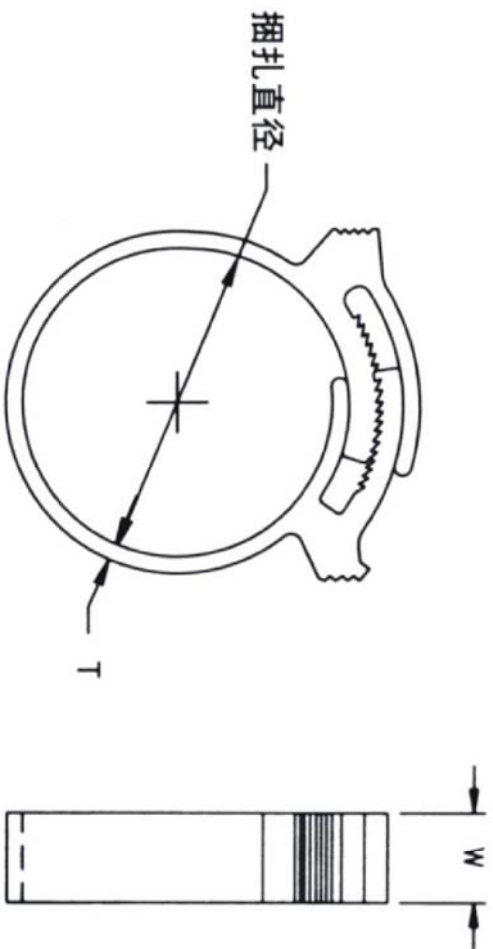


| | | | | | |
|----------------|------------------|--------|--------|--------|-----------|
| 料号 Part NO. | 品名 Parts Name | 规格 | W (mm) | T (mm) | 适用范围 (mm) |
| 35-SHC-44 | 电源束线座 | SHC-44 | 5.6 | 1.8 | 17.5-20.6 |



材质: UL 合格的PA66, 防火等级94V-2.
颜色: 白色 / 黑色

| DIMENSION | TOLERANCES | | | | | | | | | | | | | | |
|------------------|--------------------|----------|----------------------|-----------------|----------------|--------------|--|--|--|--|--|--|--|--|--|
| 0.0 0.00 | ±0.5 | | | | | | | | | | | | | | |
| FRIST ANGLE PROJ | | A | NEW PART | <i>oullivan</i> | <i>ya wang</i> | <i>20108</i> | | | | | | | | | |
| | | LTR. | REVISION RECORD | DWG. BY | CHK. BY | DATE | | | | | | | | | |
| | | | | | | | | | | | | | | | |
| DWG. BY | <i>lin liang</i> | UNIT | mm | | | | | | | | | | | | |
| CHK. BY | <i>oullivan</i> | REV. | A | | | | | | | | | | | | |
| APP. BY | <i>wang zhiyan</i> | DWG. NO. | HIWA/QR-JZ-35-SHC-44 | | | | | | | | | | | | |



未经并受权不得修改和复印
该知识产权属于技术质量部;