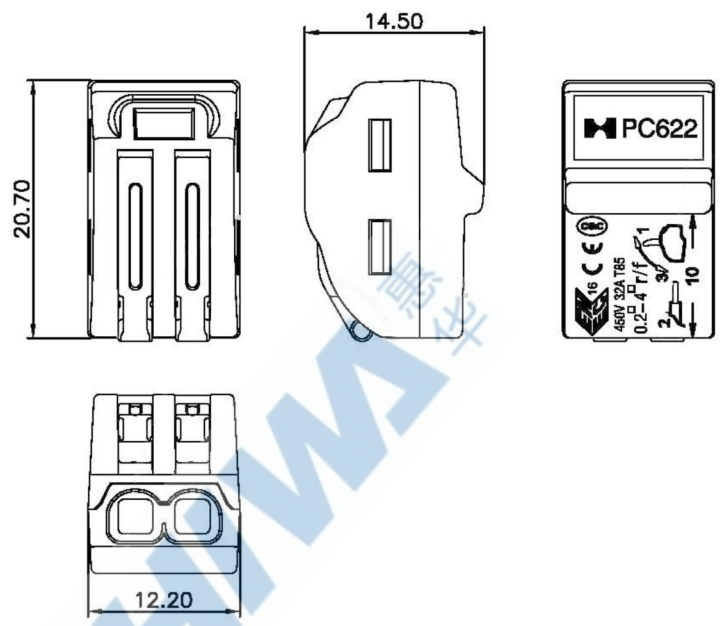


料号 Part NO.	品名 Parts Name	规格
----------------	------------------	----

41-F01-PC622	拨杆式连接器	PC622
--------------	--------	-------



Housing Material: Polycarbonate (PC), flame-retardant to UL 94V-0
 Current: 32A (IEC)
 Voltage: 600V (UL), 450V (IEC)
 Working Temp: T85 (IEC), 105°C (UL)
 Wire Range: 0.2-4.0MM², Rigid/flexible (IEC)
 #28-#14 AWG, Sol/Str, #12 AWG SOL Cu (UL)



未经许可不得修改和复印
 该知识产权属于技术质量部;

DIMENSION	TOLERANCES					DWG. BY	<i>liu liang</i>	UNIT	mm
.0 .00	±0.5					CHK. BY	<i>sullivan</i>	REV.	A
						APP. BY	<i>wang zhiyan</i>	DWG. NO.	HIWA/QR-JZ-41-F01-PC622
FRIST ANGLE PROJ 	A	NEW PART	<i>sullivan</i>	<i>zy. wang</i>	<i>2019/05/110</i>	苏州惠华电子科技有限公司			
LTR.	REVISION RECORD	DWG. BY	CHK. BY	DATE					